

FLOOR RECESSED AND LED BEACON

ANDROMEDE ENC-316L-3000K-12V

TR16056705

OUTDOOR > Groundlight

Round recessed floor in 316L stainless steel. Available in 3000K, 4000K or RGB versions. Accessories and power supply must be ordered separately. Supplied with recessed box (Ø32 x 53 mm).



Application domain

- Garden
- Outdoor illumination
- Outdoor lighting



Electric data

| | |
|-----------------------|-------------|
| Total power (W) | 0.5 |
| Rated voltage (V) | 12Vdc |
| Distorsion harmonique | - |
| Power factor | >0.9 |
| Network frequencies | 50Hz , 60Hz |
| Electric class | III |
| Dimmable | No |

Photometric data

| | |
|------------------------|--------------|
| Color temperatures | 3000K |
| UGR | <19 |
| Light source type | - |
| SDCM | SDCM>6 |
| IRC | >80 |
| Safety group (EN62778) | RG0 |
| Luminous flux (lm) | 15lm (3000K) |
| ULOR | - |

Technical data

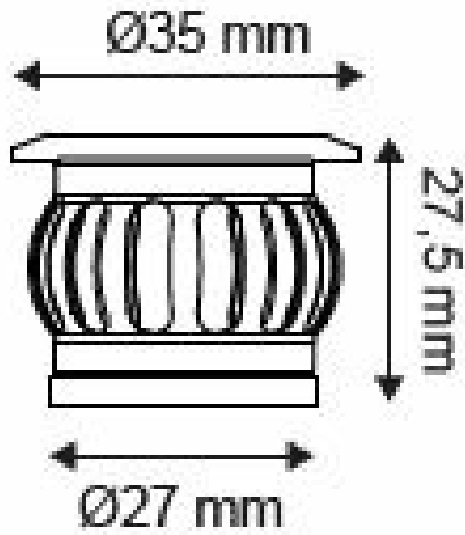
| | |
|--------------------------------|----------------------|
| Diameter (mm) | 35 |
| Height (mm) | 27.5 |
| Recessed diameter (mm) | 30 |
| Weight (kg) | 0.1 |
| Recessed depth under BA13 (mm) | - |
| Cable length | 50 cm |
| Product color | - |
| IK Code | IK08 |
| Incandescent wire test | 650°C |
| IP Code | IP65 |
| Use temperature range | -25... +45° |
| Body material | STAINLESS STEEL 316L |
| Diffuser material | Verre trempé |
| Driver included | No |

Liefe time

| | |
|-----------|----------|
| L70 à 25° | 25 000 h |
|-----------|----------|

Supplementary data

| | |
|-------------------|--|
| Warranty period | 3 years |
| Light beam spread | 90° |
| Tiltable | No |
| Connection type | fast connector |
| Linked products | <ul style="list-style-type: none">• TR16000001 - ANDROMEDE EXTENDER 4000K 3000K• TR16000006 - ANDROMEDA POWER SUPPLY 6W• TR16000005 - ANDROMEDE PRDT & PSU EXTENSION |



INSTALLATION : Jusqu'à 8 produits en ligne

