

- ▲ Constant current design
- ▲ Input Voltage 220-240VAC
- ▲ Protections: short circuit/over load/over voltage
- ▲ IP20 Ingress protection
- ▲ Power Factor 0.9C
- ▲ Efficiency $\geq 78\%$
- ▲ Class II, SELV, Independent
- ▲ 0-10V dimmable
- ▲ Current ADJ. by dip switch
- ▲ 5 years warranty

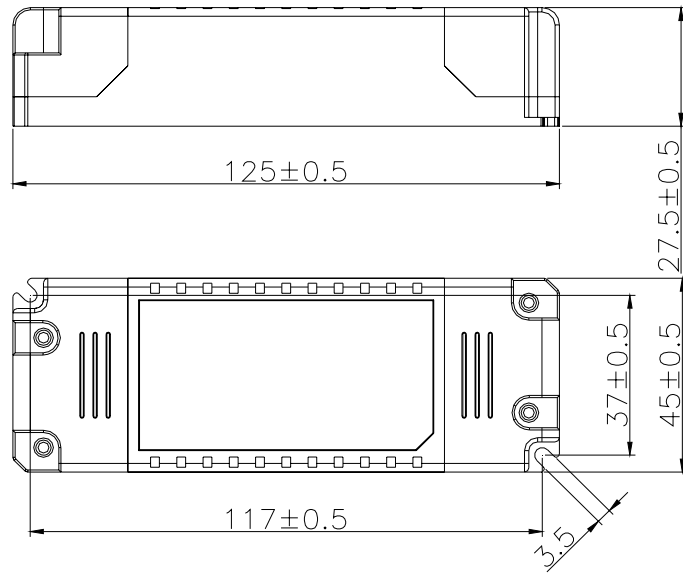


SELV CE KEMA 05

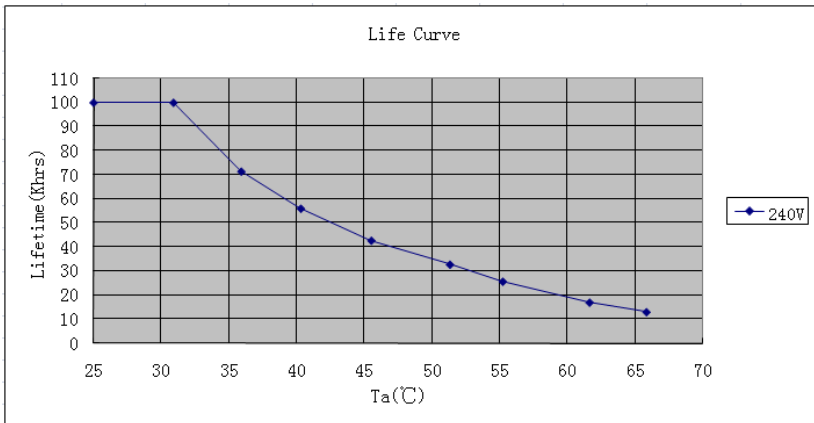
SPECIFICATION

Input	Rated input voltage	220-240VAC					
	Range of input voltage	176-264VAC					
	Frequency(Hz)	50/60 Hz					
	Power Factor	0.9C@220-240VAC, Full Load					
	Input Current max	0.1A MAX. @Full Load,176VAC					
	Start-up time	<0.5S					
	Unload Power Consumption	$\leq 0.5W$					
	Inrush Current	10A Max.@ 240VAC					
	THD	10% Typ. @Full Load,240VAC, I _o =350mA					
	Leakage Current	<0.5mA(240VAC)					
Output	Constant Current Max.	350mA					
	Unload voltage Max.	50 VDC					
	Voltage Range(VDC)	12-40VDC					
	Rated power	12.1W Max.					
	Current ADJ. Range by dip switch	V _o	P _o	I _o	1	2	3
		12-40VDC	4.8W	120mA	--	--	--
		12-40VDC	6W	150mA	ON	--	--
		12-40VDC	8W	200mA	ON	--	ON
		12-40VDC	12W	300mA	ON	ON	--
		12-34.5VDC	12.1W	350mA	ON	ON	ON
	Current Accuracy	$\pm 5\%$ ($\pm 8\%$ for 120mA,150mA,200mA)					
	Voltage Regulation	$\pm 5\%$ @Full Load					
Load Regulation	$\leq 5\%$						
Hold-up Time	1s max.@Full Load						
Ripple & Noise *Note.2	$\leq 21mAp-p$ @Full Load,240VAC						
Efficiency(Typ.)	$\geq 78\%$						
Dimming	Dimmable	YES					
	Dimming mode	0-10V Dimming mode					
	Dimming current range	5%~100%					
Protection	Over Load Protection	103-120%					
		Protection type: Auto Resume					
	Over Voltage Protection	>50VDC					
		Protection type: Auto Resume					
Short circuit Protection	Protection type: Auto Resume						
Over Temperature protection	NA						
Environment	Operating Temperature	-20°C...+45°C					
	t _c	80°C					
	Storage Temperature	-25°C...+60°C					
	Humidity	20%-95%RH					
Life time	>30,000h @45°C						
Others	Dimension	125X45X27.5(LXWXH)mm					
Safety & EMC	Safety standards	EN 61347-1; EN61347-2-13; EN 62384					
	Withstand voltage	Input-Output: 3750V/5mA/1min					
	Isolation resistance	Input-Output: $\geq 4M\Omega$ @500VDC					
	EMI	EN55015; EN61000-3-2 Class C; EN61000-3-3					
EMS	EN 61547; EN 61000-4-2 —Performance Criteria B; EN 61000-4-5 —1000V; Performance Criteria C						
Note	1.All parameters NOT specially mentioned are measured at 240VAC input , full load and 25°C of ambient temperature. 2.Ripple & Noise are measured at 20MHz of bandwidth by using a 300mm twisted pair-wire terminated with a 0.1uF & 47 uF parallel capacitor.						

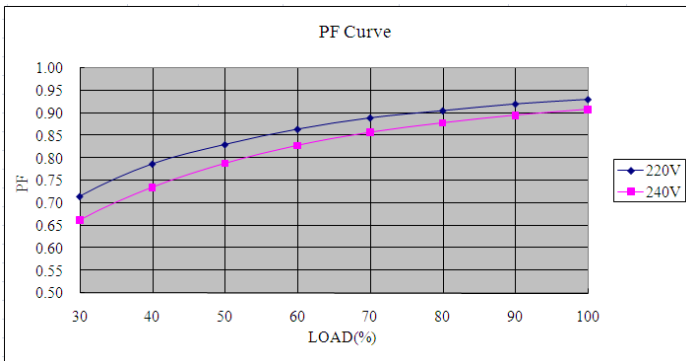
MECHANICAL SPECIFICATIONS



Lifetime vs. Ambient Temperature Curve for $I_o=350mA$



Power Factor Characteristics for $I_o=350mA$



Efficiency vs. Load for $I_o=350mA$

